

# 1985 Corvette: Service Bulletin: Rear Exhaust Hanger Bolt Falls Out

**Subject:** Rear Exhaust Hanger Bolt Falls Out

**Model and Year:** 1985 Corvette

**Source:** Chevrolet Dealer Service Bulletin

**Bulletin Number:** 85-125, Section 6F

**Date:** Sept., 1985

TO: ALL CHEVROLET DEALERS

## CONDITION

The rear exhaust hanger bolt may fall out on some early 1985 Corvettes.

## CAUSE

The condition may be caused by loss of clamp load.

## CORRECTION

1. Add four (4) 8mm (5/16") phosphate coated flat washers between the hanger insulator and bumper extension. The washers are added to prevent the insulator metal sleeve from pulling into the adjusting slot on the bumper extension (See Illustration).

NOTICE: Only use coated washers to prevent corrosion between the washer and the bumper extension.

2. Replace the four (4) original nuts with four (4) M8-1.25 torque prevailing nuts. Torque nuts to 35 ft. lbs. (34 N.m).
3. If the original bolts are missing, replace with M8 x 1.25 x 45mm

flanged hex head bolts.

### PRODUCTION CHANGE

This change was put into production on April 2, 1985, VIN #123542.

Labor Operation No: L2020

Labor Time: .3 hours

### PARTS REQUIRED

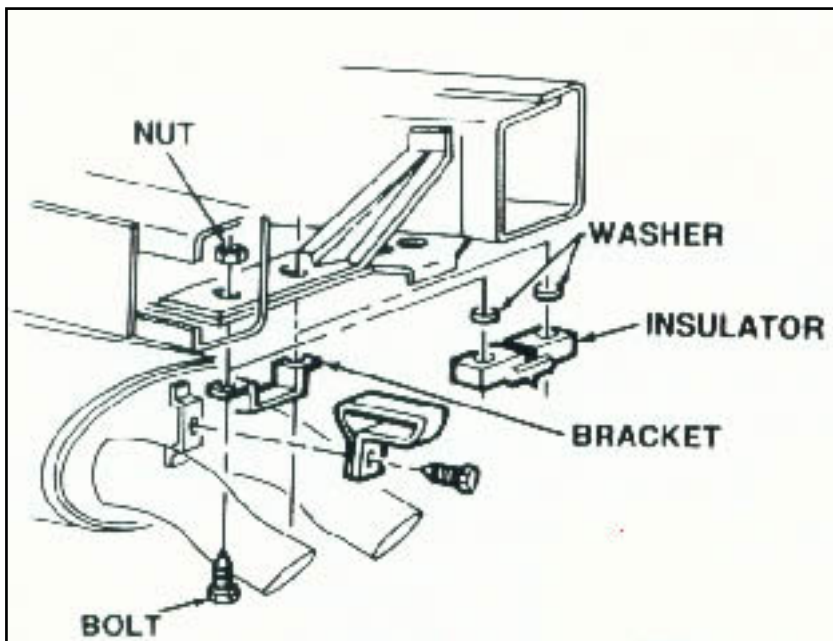
Nut - #11500760 - 4 Req'd.

Washer - #11500323 - 4 Req'd.

Bolt - #14066303 - As Req'd.

Bracket - #14087698 - As Req'd.

Insulator - #14076189 - As Req'd.



Chevrolet Motor Division  
General Motors Corporation

General Motors bulletins are intended for use by professional technicians, not

a "do-it-yourselfer". They are written to inform those technicians of conditions that may occur on some vehicles, or to provide information that could assist in the proper service of a vehicle. Properly trained technicians have the equipment, tools, safety instructions and know-how to do a job properly and safely. If a condition is described, do not assume that the bulletin applies to your vehicle, or that your vehicle will have that condition. See a General Motors dealer servicing your brand of General Motors vehicle for information on whether your vehicle may benefit from the information.

**© Copyright General Motors Corporation. All Rights Reserved**

Online URL:

<https://www.corvetteactioncenter.com/tech/knowledgebase/article/1985-corvette-service-bulletin-rear-exhaust-hanger-bolt-falls-out-515.html>