

1970 - 1973 Corvette: Service Bulletin: Overheating - 454 Cu.In. Engine with Air Conditioning





CHEVROLET MOTOR DIVISION
General Motors Corporation
Product and Safety Activities Dept.



**Chevrolet
Dealer
Service
Technical
Bulletin**

73-T-28

Number:
VI

Section:
May 14, 1973

Date:

Subject: ENGINE OVERHEAT - 1970-1973
CORVETTES WITH 454 CU. IN.
ENGINES AND AIR CONDITIONING

Attn: Service Manager

TO: ALL CHEVROLET DEALERS

Engine overheat may be encountered on some 1970-1973 Corvettes equipped with the 454 cu. in. engine and air conditioning during high ambient temperatures when operated in heavy traffic. This condition is due to the limited amount of air flowing through the radiator at low vehicle speeds or during periods of extended idle.

To improve low speed cooling, an additional grille panel lower extension was installed in 1973 Corvettes produced after Vehicle Identification Number 1Z37Z3S410722. This extension, Part Number 336176, may be installed as illustrated on page 2 of this bulletin on early 1973 Corvettes only.

In addition, a flex fan that provides increased air flow through the radiator has been released for service use on any 1970-1973 Corvette with 454 cu. in. engine and air conditioning. This fan replaces the original fan and fan clutch assembly and may be ordered in a kit, Part Number 6260480, that includes the necessary attaching parts. When using the flex fan, an increase in fan noise may be noticed under some driving conditions.

WARRANTY CLAIM DATA

	PART COUNT	PART NUMBER	TOTAL PARTS NET + 25%	FAILURE CODE	FAILED LABOR OPER.	LABOR OPER. HOURS	OTHER LABOR HOURS	SUBLET DMN TOWING
A.	*	336176	*	92	133095	.3		
B.	*	6260480	*	92	063495	.6		

* Use applicable part count and part price.

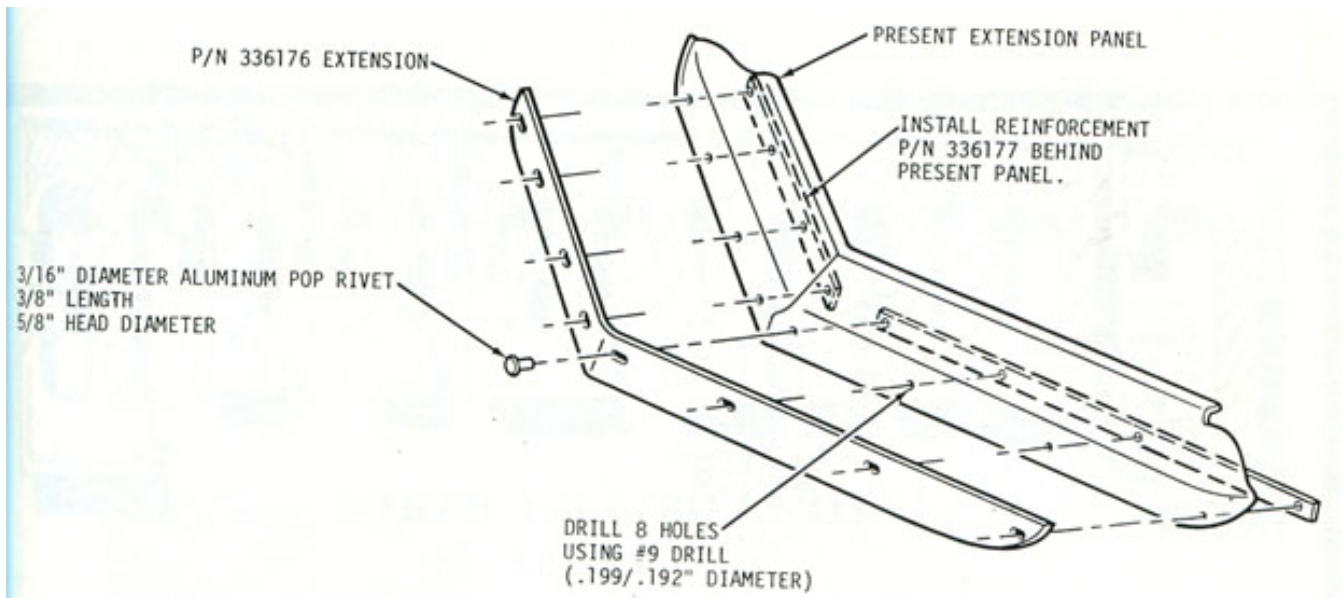
Chevrolet Motor Division
General Motors Corporation

c: Dealer List

Chevrolet List

Important That All Service Personnel Read--Please Initial

Service Manager	Shop Foreman	Service Salesman	Service Technicians													



Online URL:

<https://www.corvetteactioncenter.com/tech/knowledgebase/article/1970-1973-corvette-service-bulletin-overheating-454-cu-in-engine-with-air-conditioning-134.html>