



Program Bulletin



CUSTOMER SATISFACTION PROGRAM

SUBJECT: ENGINE FLYWHEEL / CLUTCH INTERFERENCE

MODELS: 2006 CHEVROLET CORVETTE EQUIPPED WITH 6.0L V8 (RPO LS2 - VIN U) OR 7.0L V8 (RPO LS7 – VIN E) ENGINE AND 6-SPEED (RPO MM6 or MZ6) MANUAL TRANSMISSION

THIS BULLETIN IS BEING REVISED TO ADD VEHICLES TO THE PROGRAM AND TO THE 'VEHICLES INVOLVED' TABLE. PLEASE DISCARD ALL COPIES OF 06523.

THIS RECALL IS IN EFFECT UNTIL MARCH 31, 2007

CONDITION

Certain 2006 Chevrolet Corvette model vehicles equipped with 6.0L V8 (RPO LS2 - VIN U) or 7.0L V8 (RPO LS7 – VIN E) engine and manual transmission may have a condition in which the flywheel may have been incorrectly machined, resulting in insufficient clearance for clutch cover self adjustment, reducing clutch life.

This program will expire on March 31, 2007.

CORRECTION

Dealers are to inspect and, if necessary, replace the engine flywheel.

VEHICLES INVOLVED

Involved are **certain** 2006 Chevrolet Corvette model vehicles equipped with 6.0L V8 (RPO LS2 - VIN U) or 7.0L V8 (RPO LS7 – VIN E) engine and manual transmission and built within these VIN breakpoints:

YEAR	DIVISION	MODEL	FROM	THROUGH
2006	Chevrolet	Corvette	65115878	65121354

Important: Dealers are to confirm vehicle eligibility prior to beginning repairs by using the GM Vehicle Inquiry System (GMVIS). Not all vehicles within the above breakpoints may be involved.

For dealers with involved vehicles, a listing with involved vehicles containing the complete vehicle identification number, customer name, and address information has been prepared and will be provided through the applicable system listed below. Dealers will not have a report available if they have no involved vehicles currently assigned.

- US GM - GM DealerWorld Recall Information
- Canadian GM - GMinfoNet Recall Reports
- Export dealers - sent directly to dealers

The listing may contain customer names and addresses obtained from Motor Vehicle Registration Records. The use of such motor vehicle registration data for any purpose other than follow-up necessary to complete this program is a violation of law in several states/provinces/countries. Accordingly, you are urged to limit the use of this report to the follow-up necessary to complete this program.

PARTS INFORMATION

Parts required to complete this program are to be obtained from General Motors Service Parts Operations (GMSPO). Normal orders should be placed on a DRO = Daily Replenishment Order. In an emergency situation, parts should be ordered on a CSO = Customer Special Order.

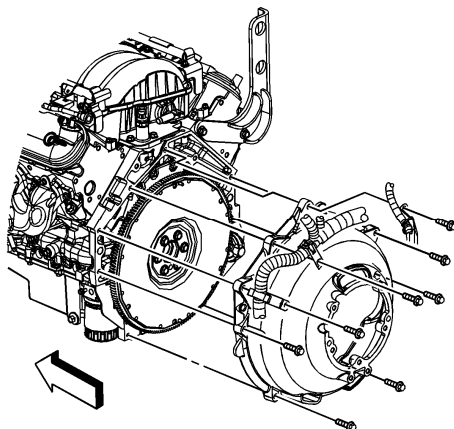
Part Number	Description	Quantity/Vehicle
12571611	Flywheel, Eng	1

IMPORTANT: Due to the small number of vehicles involved and due to limited initial parts availability, dealers are encouraged not to order program parts for use as shelf stock. Parts should only be ordered when inspection determines that it is necessary to replace the flywheel.

SERVICE PROCEDURE

IMPORTANT: The service procedure contained in this program is different from the service procedure found in the appropriate service manual. As a result, the labor time allowance has been revised to correspond with this new service procedure.

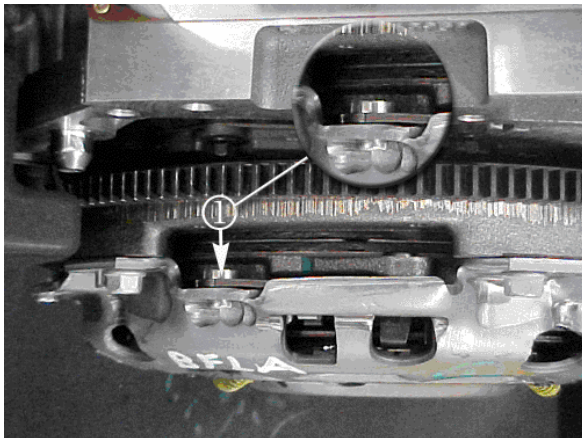
Flywheel and Clutch Assembly Inspection for 2006 Chevrolet Corvette Vehicles Equipped with a 6.0L (LS2) or 7.0L (LS7) Engine and 6-Speed Manual Transmission (MM6/MZ6)



1696171

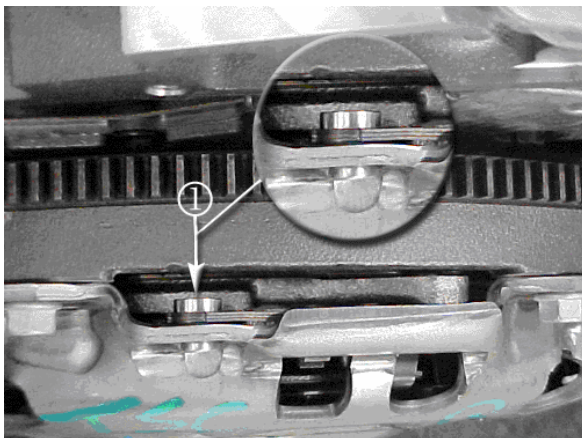
IMPORTANT: The bell housing must be removed from the engine before you can inspect the clearance between the rivet head on the clutch pressure plate cover and the raised step on the flywheel.

- a. Refer to *Clutch Assembly Replacement* procedure for the 6.0L (LS2) engine or 7.0L (LS7) engine in SI.
 - b. Perform the inspection after the bell housing has been removed from the engine. Do not remove clutch assembly before performing inspection.
1. Inspect the clearance between each rivet head and the raised step on the flywheel. There are three locations on the clutch pressure plate to inspect.
 - 1.1 Rotate the flywheel while it is attached to the engine to bring each rivet head into view.
 - 1.2 Use a feeler gauge with a stock thickness of 0.05 mm (0.002 inch) to determine if there is interference between each of the rivet heads and the flywheel step.
 - 1.3 Slide the feeler gauge horizontally along the shallow flywheel step.



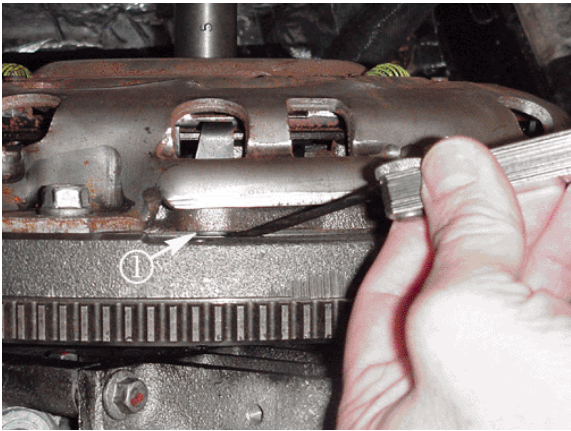
1793767

- The clearance between each of the three rivet heads (1) and flywheel step must be 6 mm (15/64 inch) or greater at all three locations. If the clearance between the rivet head (1) and the flywheel step is 6 mm (15/64 inch) or greater at all three locations, the flywheel does **not** require replacement. Reassemble the vehicle components and proceed to step 5. Refer to *Clutch Assembly* procedure for the 6.0L (LS2) engine or 7.0L (LS7) engine in SI.



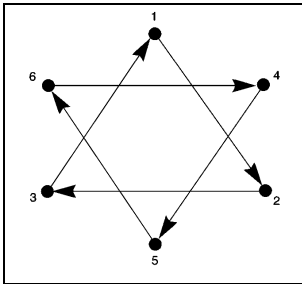
1793751

- If the clearance between the rivet head (1) and the flywheel step is **greater** than 0.05 mm (0.002 inch), but is **less** than 6 mm (15/64 inch) at any of the three rivet head (1) and flywheel step locations, replace the flywheel **only**. Perform service procedure steps 2, 3 and 5.



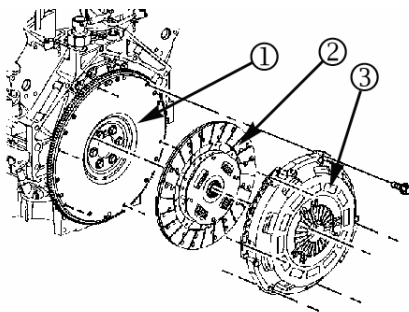
1793770

- If there is **less** than 0.05 mm (0.002 inch) clearance between any of the rivet heads (1) and flywheel step locations, the flywheel and clutch assembly must be replaced. Perform service procedure steps 2-5.



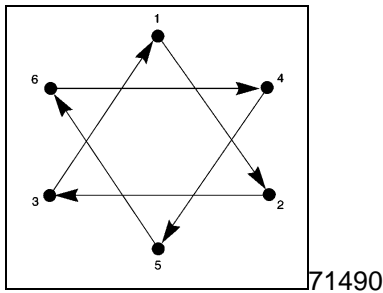
71490

- IMPORTANT:** Remove the clutch pressure plate bolts in the sequence shown, starting with the number one and following in numerical order.
2. Remove the flywheel. Refer to *Engine Flywheel Replacement and Engine Flywheel Removal* procedures for the 6.0L (LS2) engine or 7.0L (LS7) engine in SI.
- IMPORTANT:** During the powertrain build process, balance weights may be added to the flywheel. Install the same size balance weights onto the new flywheel in the same location as the old flywheel. Apply Threadlocker —Red, GM P/N 12345382 (Canadian P/N 10953489), or equivalent, to balance weights before pressing them into the flywheel.
3. Install new flywheel (P/N 12571611). Refer to *Engine Flywheel Installation and Engine Flywheel Replacement* procedures for the 6.0L (LS2) engine or 7.0L (LS7) engine in SI.



1793779

(1) Engine Flywheel (2) Clutch Driven Plate (Clutch Disc) (3) Clutch Pressure Plate



IMPORTANT: Remove the clutch pressure plate bolts in the sequence shown, starting with the number one and following in numerical order.

4. Install a new clutch kit, P/N 24233084 (LS2) P/N 24236500 (LS7) and assemble vehicle components. Refer to *Clutch Assembly Replacement* procedure for the 6.0L (LS2) engine or 7.0L (LS7) engine in SI.
5. Perform vehicle road test.

CLAIM INFORMATION

Submit a Product Claim with the information indicated below:

REPAIR PERFORMED	PART COUNT	PART NO.	PARTS ALLOW	CC-FC	LABOR OP	LABOR HOURS	NET ITEM
Inspect Flywheel and Pressure Plate Clearance. No replacement required.	N/A	N/A	N/A	MA-96	V1465	4.9	N/A
Inspect and Replace Engine Flywheel and, if necessary, Clutch Kit.	--	--	*	MA-96	V1466	5.6	N/A
Courtesy Transportation for vehicles within the New Vehicle Limited Warranty (US & Canadian GM Dealers)	N/A	N/A	N/A	MA-96	**	N/A	***

- * The "Parts Allowance" should be the sum total of the current GMSPO Dealer net price plus applicable Mark-Up or Landed Cost Mark-Up (for Export) for the engine parts needed to complete the repair.
- ** Submit courtesy transportation using normal labor operations for courtesy transportation as indicated in the GM Service Policies and Procedures Manual for vehicles within the New Vehicle Limited Warranty.
- *** The amount identified in the "Net Item" column should represent the actual dollar amount for courtesy transportation.

Refer to the General Motors WINS Claims Processing Manual for details on Product Recall Claim Submission.

CUSTOMER NOTIFICATION – For US and Canada

General Motors will notify customers of this program on their vehicle (see copy of customer letter included with this bulletin).

CUSTOMER NOTIFICATION – For Export

Letters will be sent to known owners of record located within areas covered by the US National Traffic and Motor Vehicle Safety Act. For owners outside these areas, dealers should notify customers using the attached sample letter.

DEALER PROGRAM RESPONSIBILITY - All

All unsold new vehicles in dealers' possession and subject to this program must be held and inspected/repaired per the service procedure of this program bulletin before customers take possession of these vehicles.

Dealers are to service all vehicles subject to this program at no charge to customers, regardless of mileage, age of vehicle, or ownership, from this time forward.

Customers who have recently purchased vehicles sold from your vehicle inventory, and for which there is no customer information indicated on the dealer listing, are to be contacted by the dealer. Arrangements are to be made to make the required correction according to the instructions contained in this bulletin. A copy of the customer letter is provided in this bulletin for your use in contacting customers. Program follow-up cards should not be used for this purpose, since the customer may not as yet have received the notification letter.

In summary, whenever a vehicle subject to this program enters your vehicle inventory, or is in your dealership for service in the future, you must take the steps necessary to be sure the program correction has been made before selling or releasing the vehicle.



April, 2006

Dear General Motors Customer:

This notice is sent to inform you that Chevrolet is conducting a customer satisfaction program that affects certain 2006 Chevrolet Corvette model vehicles equipped with a 6.0L or 7.0L V8 engine and 6-speed manual transmission.

We have learned that your vehicle may have been built with a condition in which the engine flywheel may interfere with the clutch and cause reduced clutch lining life.

What We Will Do: To prevent this condition from occurring, your Chevrolet dealer will inspect and, if necessary, replace the engine flywheel. This service will be performed for you at **no charge until March 31, 2007.**

What You Should Do: To limit any possible inconvenience, we recommend that you contact your dealer as soon as possible to schedule an appointment for this repair. By scheduling an appointment, your dealer can ensure that the necessary parts will be available on your scheduled appointment date.

Customer Reply Form: The enclosed customer reply form identifies your vehicle. Presentation of this form to your dealer will assist in making the necessary correction in the shortest possible time. If you no longer own this vehicle, please let us know by completing the form and mailing it back to us.

If you have any questions or need any assistance, just contact your dealer or the appropriate Customer Assistance Center at the number listed below. The Customer Assistance Center's hours of operation are from 8:00 AM to 11:00 PM, EST, Monday through Friday.

Division	Number	Text Telephones (TTY)
Chevrolet	1-800-630-2438	1-800-833-2438
Guam	1-671-648-8650	
Puerto Rico – English	1-800-496-9992	
Puerto Rico – Español	1-800-496-9993	
Virgin Islands	1-800-496-9994	

Courtesy Transportation: If your vehicle is within the New Vehicle Limited Warranty your dealer may provide you with shuttle service or some other form of courtesy transportation while your vehicle is at the dealership for this repair. Please refer to your Owner's Manual and your dealer for details on Courtesy Transportation.

We sincerely regret any inconvenience or concern that this situation may cause you. We want you to know that we will do our best, throughout your ownership experience, to ensure that your Chevrolet Corvette provides you many miles of enjoyable driving.

Scott Lawson
General Director,
Customer and Relationship Services

Enclosure
06523A